

Product data sheet

Specifications



Power relay, SE Relays, 15A, SPDT, 12 VDC, clear cover

781XAXRC-12D

⚠ To be discontinued on: Jun 30, 2026

⚠ To be discontinued

Product availability: Stock - Normally stocked in distribution facility

Main

| | |
|---------------------|-------------|
| Product Range | Legacy |
| Product Type | Power relay |
| Switch Function | SPDT |
| Contact Composition | 1 NC + 1 NO |

Complementary

| | |
|----------------------------|--|
| Input Current | 15 A |
| Contacts Material | Silver alloy, gold flashed |
| Local Signalling | Flag |
| Minimum Switching Current | 10 mA 17 V |
| Coil Resistance | 115 Ohm |
| Input voltage | 12 V DC |
| Drop-out Voltage Threshold | $\geq 0.15 U_c$ AC $\geq 0.1 U_c$ DC |
| Rated Operational Current | 15 A at 120...277 V AC conforming to UL 15 A at 28 V DC conforming to UL 15 A at 120/150 V AC conforming to CSA 10 A at 151/277 V AC conforming to CSA 15 A at 28 V DC conforming to CSA 15 A at 250 V AC (NO) conforming to IEC 15 A at 28 V DC (NO) conforming to IEC 7.55 A at 250 V AC (NC) conforming to IEC 7.55 A at 28 V DC (NC) conforming to IEC |
| Power consumption in W | 1.1 W DC |
| Power consumption in VA | 1.6 VA AC |
| Voltage Range | 0.8...1.1 U_n AC/DC |
| Maximum Switching Voltage | 300 V AC UL 300 V AC CSA 250 V AC IEC |
| Motor Power HP | 0.5 hp 120 V AC 50-60 Hz 1 hp 277 V AC 50-60 Hz |
| Connections Terminals | Faston terminals |
| Mounting | Socket |
| Height | 1.4 in (35.3 mm) |
| Width | 0.6 in (14 mm) |
| Depth | 1.07 in (27.3 mm) |

Price is "List Price" and may be subject to a trade discount – check with your local distributor or retailer for actual price.

| | |
|-----------------------|----------------|
| Product Weight | 0.9 oz (26 g) |
| Operating Time | 25 ms 20 ms |

Environment

| | |
|--|---|
| Ambient Air Temperature for Operation | -40...131 °F (-40...55 °C) |
| Ambient Air Temperature for Storage | -40...185 °F (-40...85 °C) |
| Product Certifications | UL CE CSA |
| Electrical Durability | 100000 cycles resistive |
| Mechanical Durability | 10000000 cycles |
| Dielectric Strength | 2000 V AC between coil and contact 2000 V AC between poles 1500 V AC between contacts |
| Shock Resistance | 15 gn in operation |
| Vibration Resistance | +/-1 mm 10...35 Hz) 3 gn 35...150 Hz) |

Ordering and shipping details

| | |
|--------------------------|---------------|
| Category | US10CP221127 |
| Discount Schedule | 0CP2 |
| GTIN | 3606480780431 |
| Returnability | Yes |
| Country of origin | CN |

Packing Units

| | |
|-------------------------------|---------------------|
| Unit Type of Package 1 | PCE |
| Nbr. of units in pkg. | 1 |
| Package 1 Height | 0.600 in (1.524 cm) |
| Package 1 Width | 1.200 in (3.048 cm) |
| Package 1 Length | 1.800 in (4.572 cm) |
| Package weight(Lbs) | 0.80 oz (22.68 g) |

Environmental Data

Schneider Electric aims to achieve Net Zero status by 2050 through supply chain partnerships, lower impact materials, and circularity via our ongoing “Use Better, Use Longer, Use Again” campaign to extend product lifetimes and recyclability.

[Environmental Data explained >](#)

[How we assess product sustainability >](#)

Environmental footprint

[Environmental Disclosure](#)

[Product Environmental Profile](#)

Use Better

Materials and Substances

Packaging made with recycled cardboard

Yes

Packaging without single use plastic

Yes

[EU RoHS Directive](#)

Pro-active compliance (Product out of EU RoHS legal scope)

REACH Regulation

[REACH Declaration](#)

California proposition 65

WARNING: This product can expose you to chemicals including: Nickel compounds, which is known to the State of California to cause cancer, and Di-isodecyl phthalate (DIDP), which is known to the State of California to cause birth defects or other reproductive harm. For more information go to www.P65Warnings.ca.gov

Use Again

Repack and remanufacture

[Circularity Profile](#)

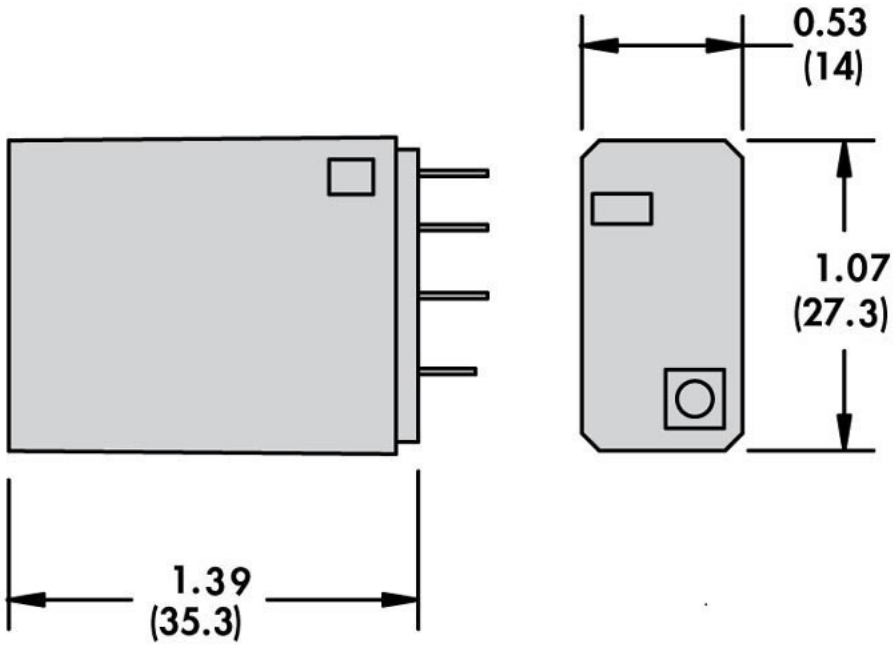
[End of Life Information](#)

Take-back

No

Dimensions Drawings

Approximate Dimensions



Connections and Schema

Connections and Wiring Diagrams

